

# QUICK INSTALLATION GUIDE



## AirEye®

**READ AND SAVE  
THESE INSTRUCTIONS**



Operating Instructions and Maintenance:  
[bigfans.com/support](http://bigfans.com/support)



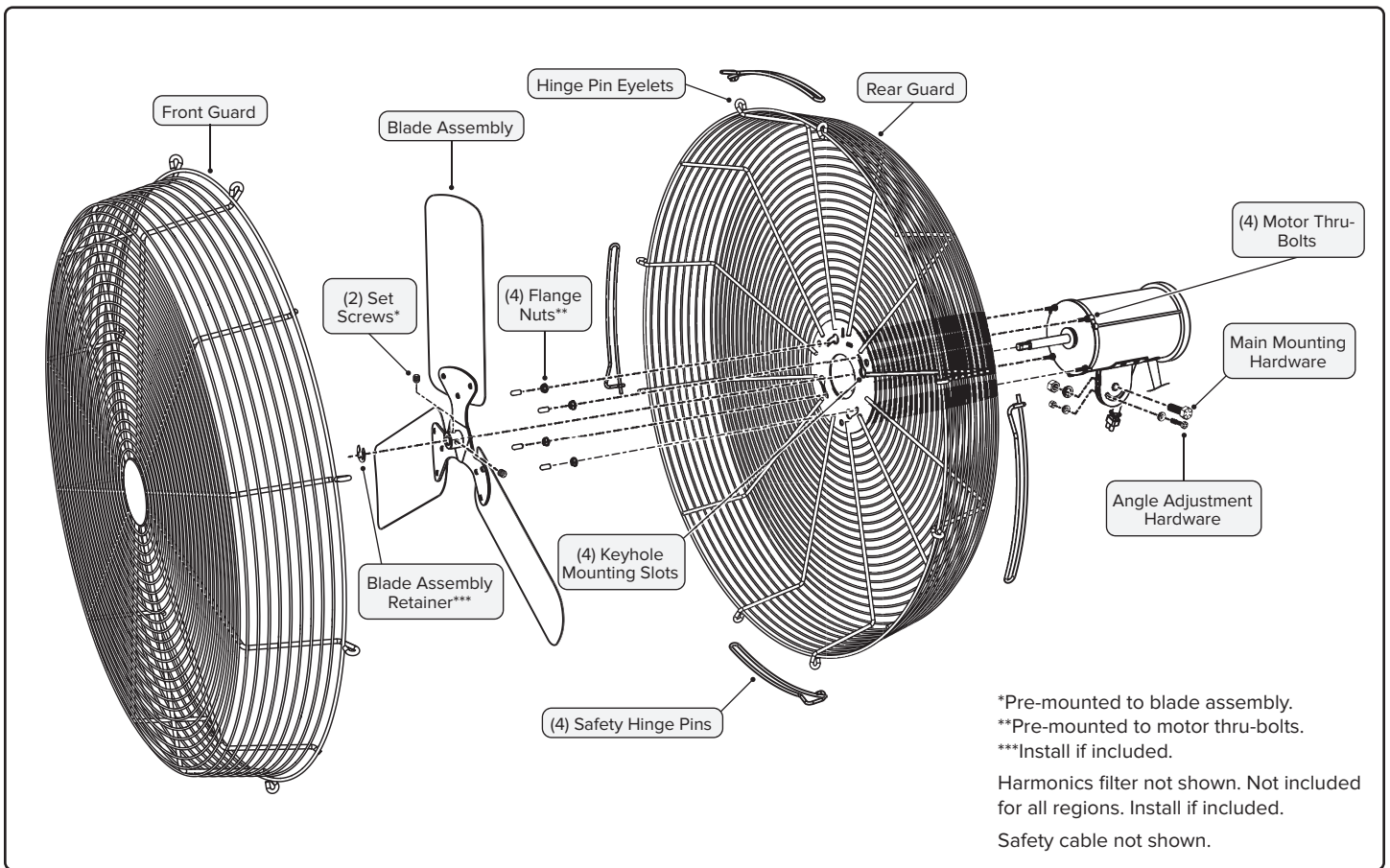
**⚠ CAUTION:** To reduce risk of personal injury, use only with mounting assembly models 007180, 007262, 009182, 007265, and 008001 manufactured by Big Fans.

## TECHNICAL SPECIFICATIONS

Fan Size	Fan Weight*	Input Power	Max Amps	Max Power
20 in. (508 mm)	32 lb (14.5 kg)	100–120 VAC, 1Φ, 50/60 Hz 200–240 VAC, 1Φ, 50/60 Hz	5.1 A 3.1 A	386 W 392 W
24 in. (610 mm)	38 lb (17.2 kg)	100–120 VAC, 1Φ, 50/60 Hz 200–240 VAC, 1Φ, 50/60 Hz	5.2 A 3.1 A	396 W 400 W
30 in. (762 mm)	45 lb (20.4 kg)	100–120 VAC, 1Φ, 50/60 Hz 200–240 VAC, 1Φ, 50/60 Hz	5.0 A 3.0 A	384 W 390 W
36 in. (914 mm)	67.1 lb (30.4 kg)	110–120 VAC, 1Φ, 50/60 Hz 200–240 VAC, 1Φ, 50/60 Hz	9.7 A 5.5 A	711 W 669 W

\*Includes fan motor, blades, and cage assembly.

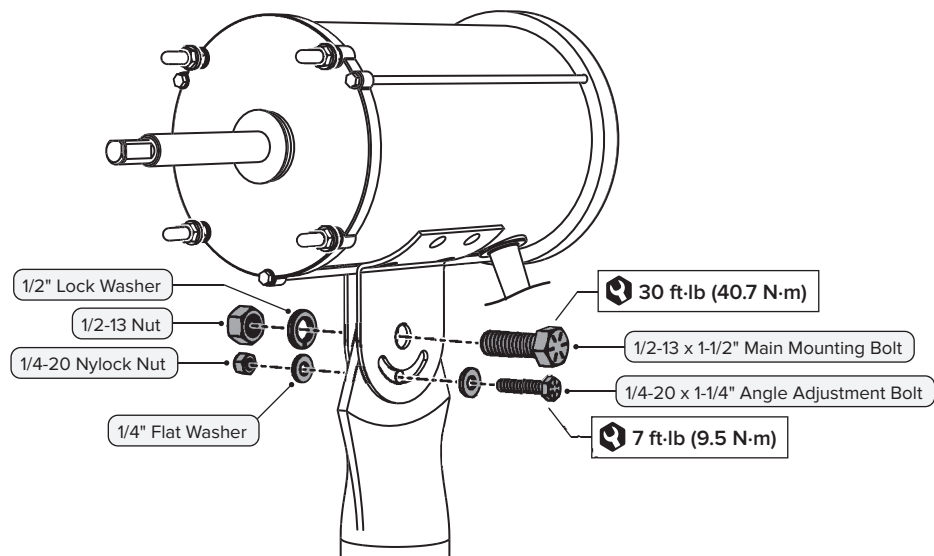
## PARTS AND HARDWARE



## 1. MOTOR

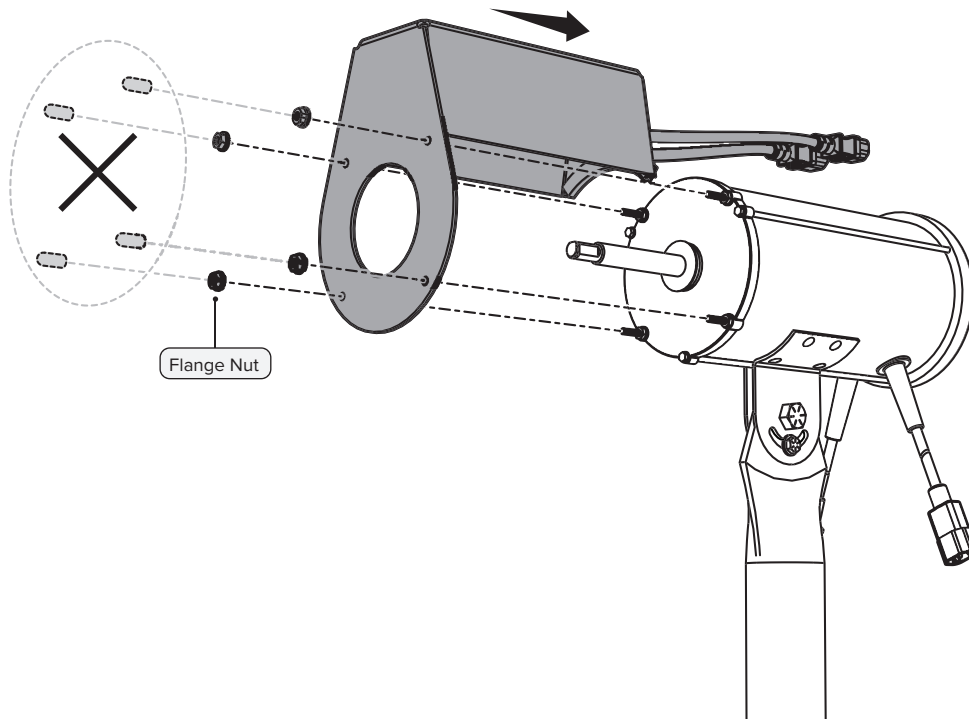
**Make sure fan mount has been installed as specified in the mounting instructions.**

To adjust motor angle, loosen main mounting bolt and angle adjustment bolt.



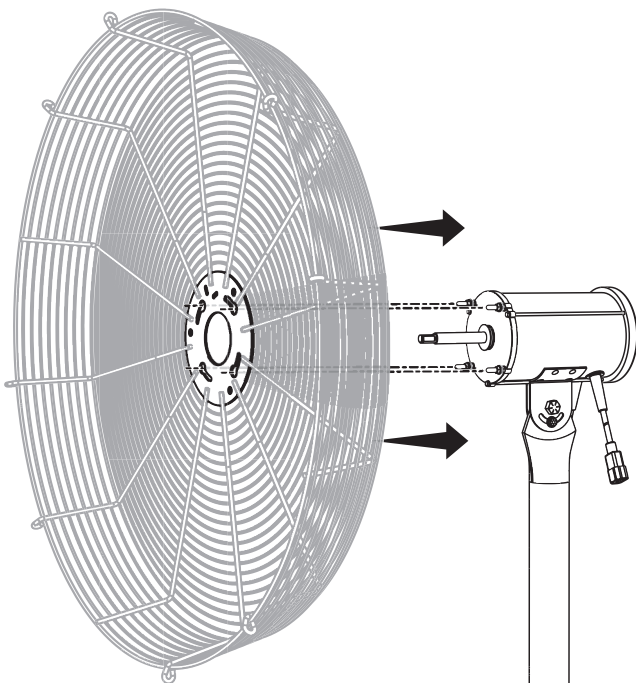
## 2. HARMONICS FILTER (36 IN. [914 MM] FANS)

Select regions only. Install if included with your fan.

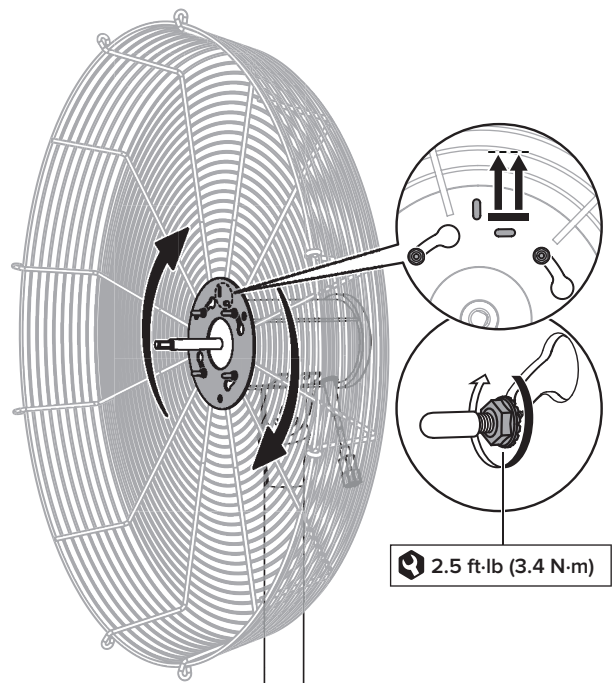


## 3. REAR GUARD

Align Mounting Slots

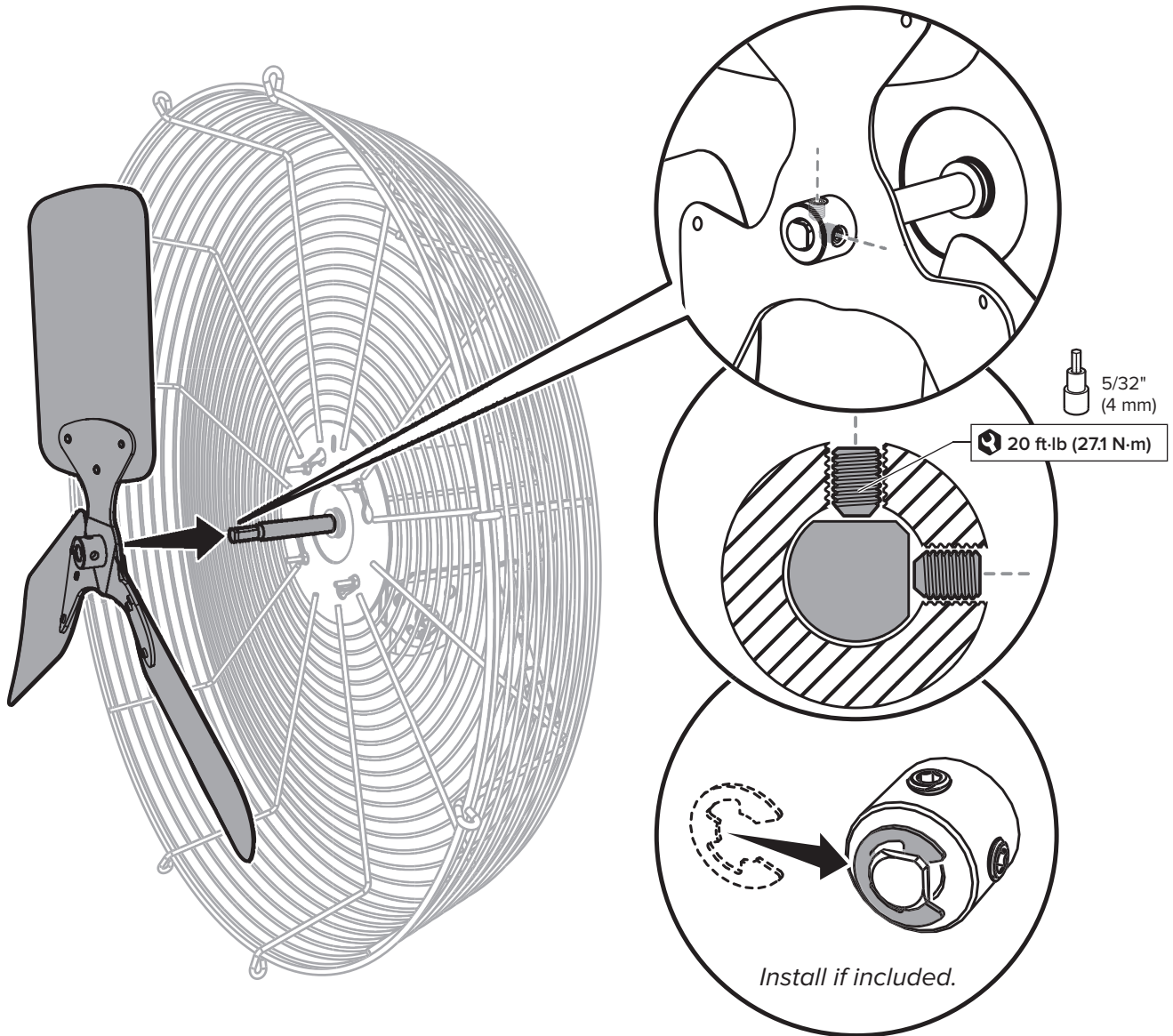


Secure Guard



## 4. BLADE ASSEMBLY

Ensure blade assembly is fully seated onto shoulder of shaft and set screws are aligned to flats of shaft.

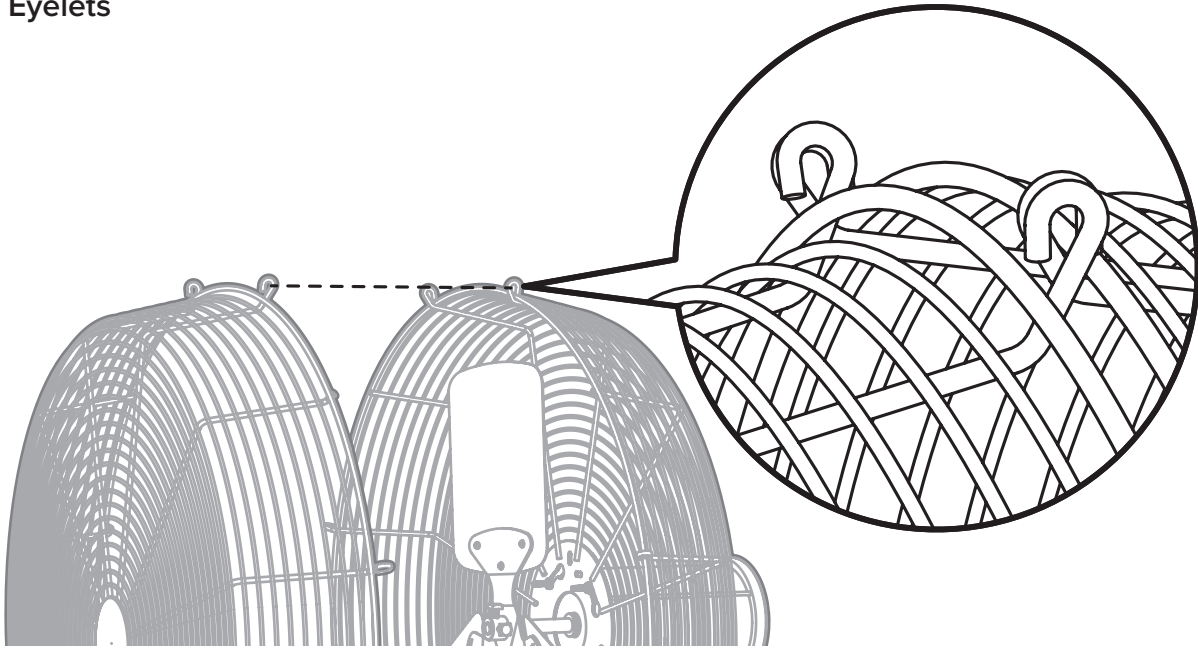




## 5. FRONT GUARD

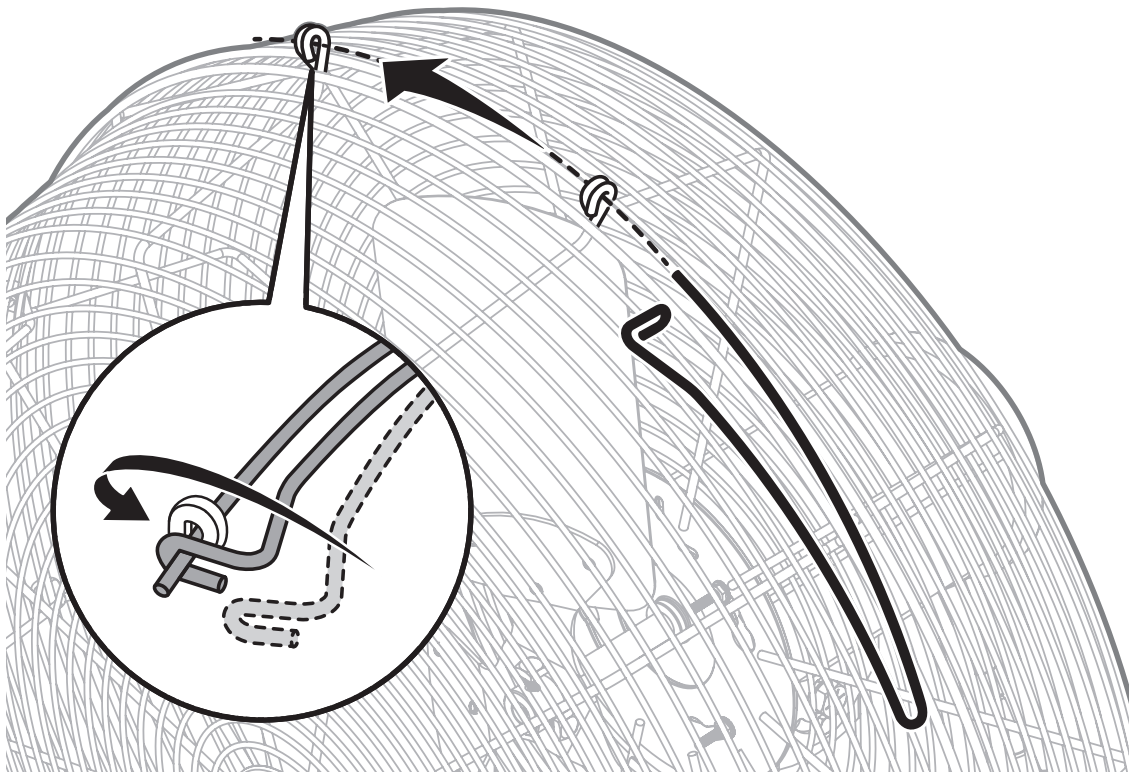
If installing AirEye with Ion Technology, refer to the instructions that came with the ion generator before installing the front guard.

Align Eyelets



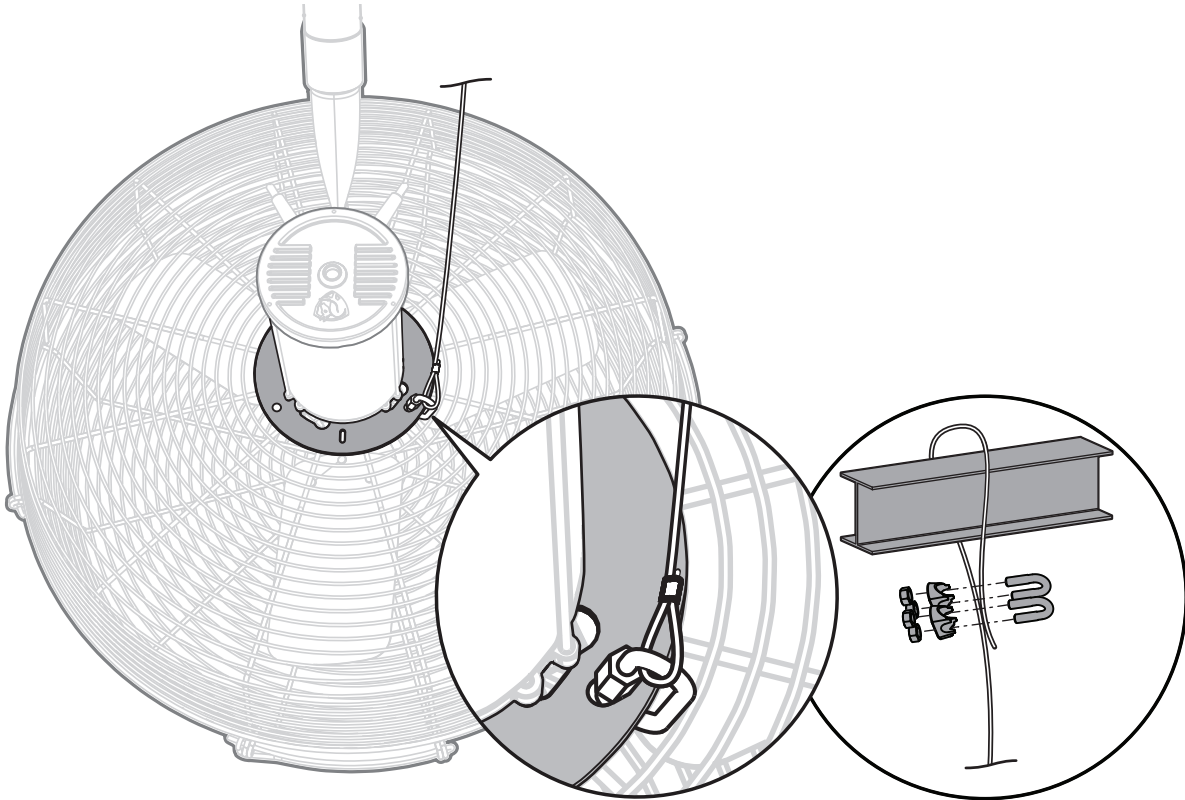
Fasten Hinge Pins

Start with topmost hinge.



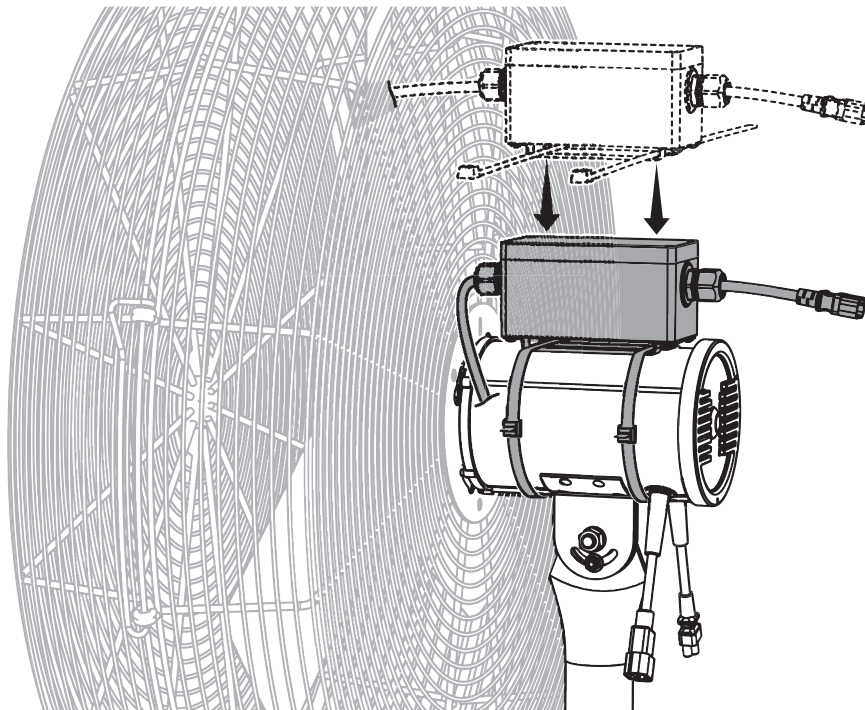
## 6. SAFETY CABLE

*Do not attach safety cable to fan mount under any circumstances.*

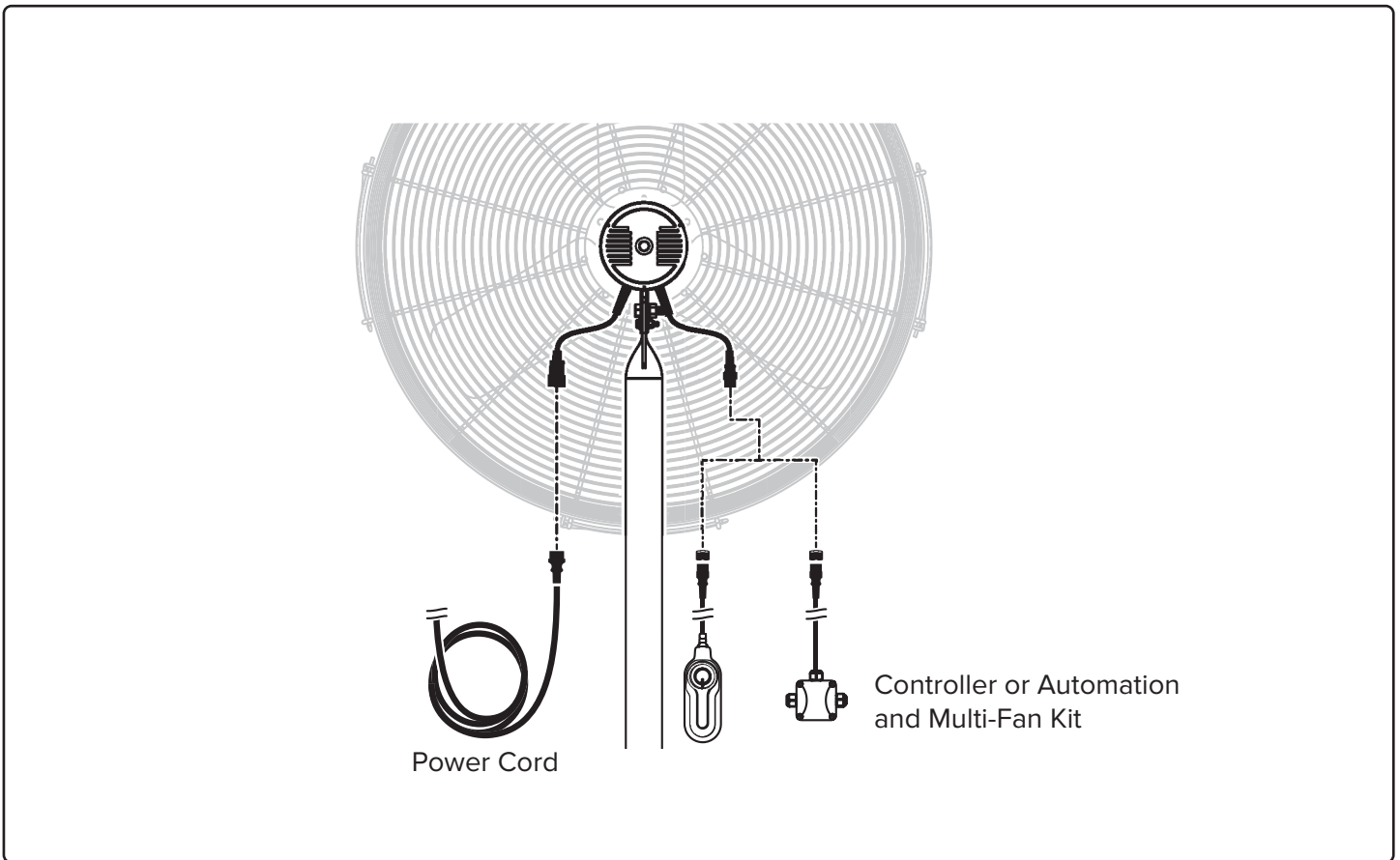


## 7. HARMONICS FILTER (20, 24, AND 30 IN. [508, 610, AND 762 MM] FANS)

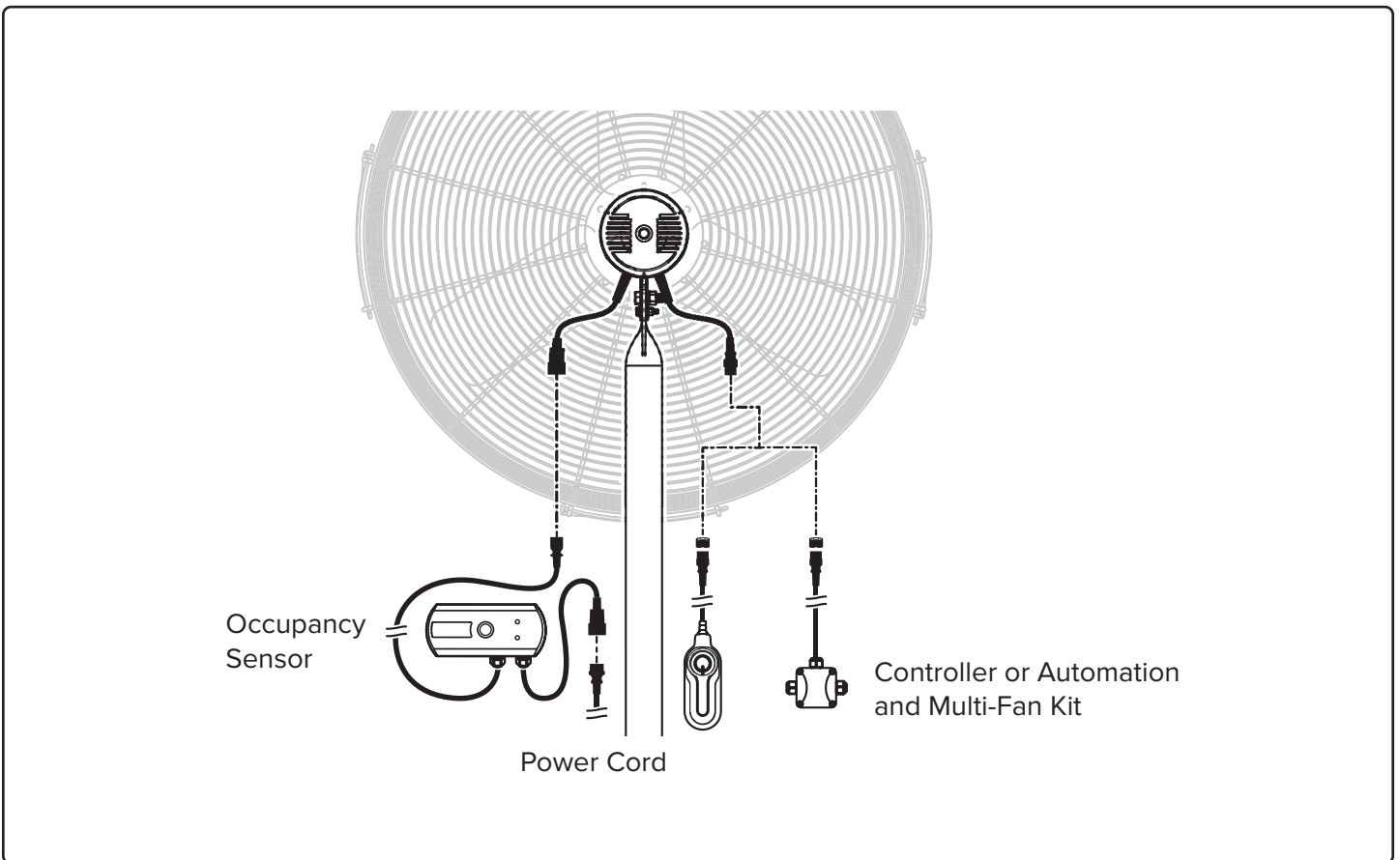
Select regions only. Install if included with your fan.



## ELECTRICAL CONNECTIONS: FAN ONLY

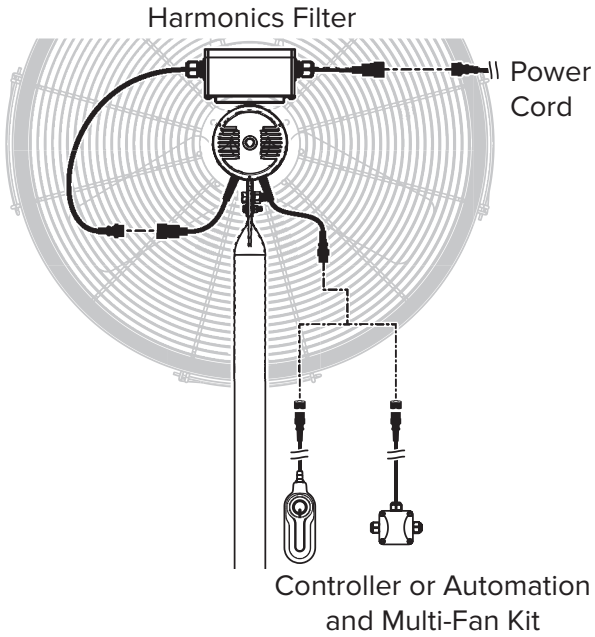


## ELECTRICAL CONNECTIONS: FAN WITH OCCUPANCY SENSOR

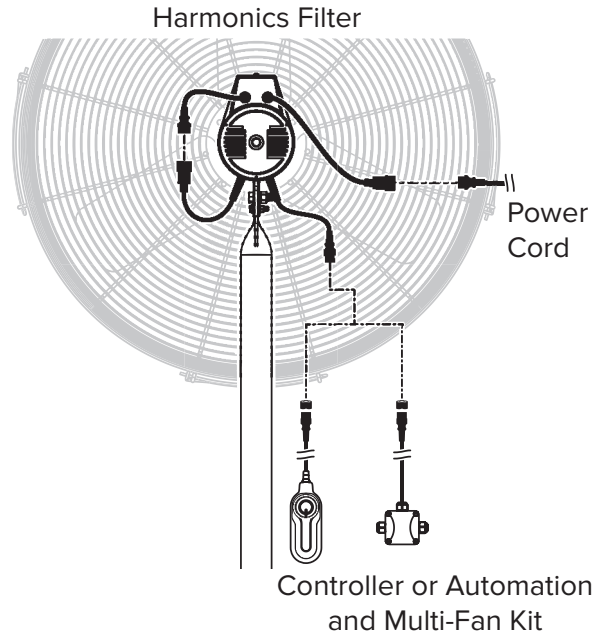


## ELECTRICAL CONNECTIONS: FAN WITH HARMONICS FILTER

20, 24, and 30 in. (508, 610, and 762 mm)  
Fans

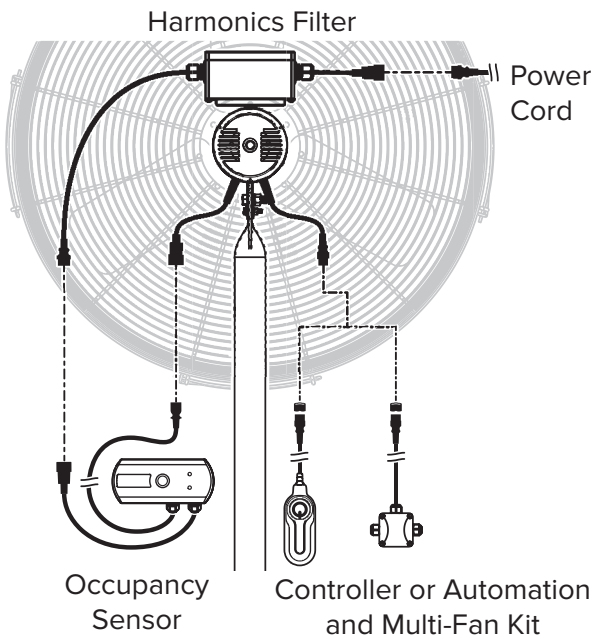


36 in. (914 mm) Fans



## ELECTRICAL CONNECTIONS: FAN WITH OCCUPANCY SENSOR AND HARMONICS FILTER

20, 24, and 30 in. (508, 610, and 762 mm)  
Fans



36 in. (914 mm) Fans

