

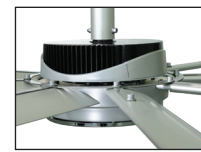
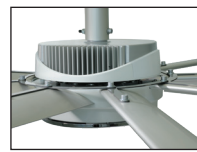
The first Big Ass Fan developed to excel both indoors and out, Essence provides the air movement needed in large spaces, from lobbies and clubs to and open-air theatres and dining.

### THE BEST FAN FOR A BIG SPACE, INDOORS OR OUT

- **Aerofoils and Winglets** — Eight anodised Mini-Ellipto aerofoils with winglets (black or silver).
- **Gearless Direct Drive Motor** — White or silver; permanent magnet design reduces power consumption.
- **Extension Tube** — Standard 0.6m; optional 0.9m to 4.6m.
- **Controller** — Wired wall controller mounts in standard single-gang junction box or to wall surface; connects with 10 V CAT5 cable.
- **Environment** — Suitable for indoor and outdoor spaces<sup>1</sup>
- **Colours** — Standard colour options for Essence are silver and black. Want something different? Individualise your fan with one of our 11 classic colour upgrades, or work with our design consultants to create a shade that's all your own.
- **Efficiency** — Essence creates a cooling effect of up to 5.6°C, so you can raise your thermostat setpoint and reduce air conditioning costs without sacrificing comfort. In winter, Essence gently pushes down warm air trapped at ceilings, resulting in up to 30% savings on heating costs.



#### Standard Colour Options



White Motor Housing with Silver Trim

Silver Motor Housing with Black Trim

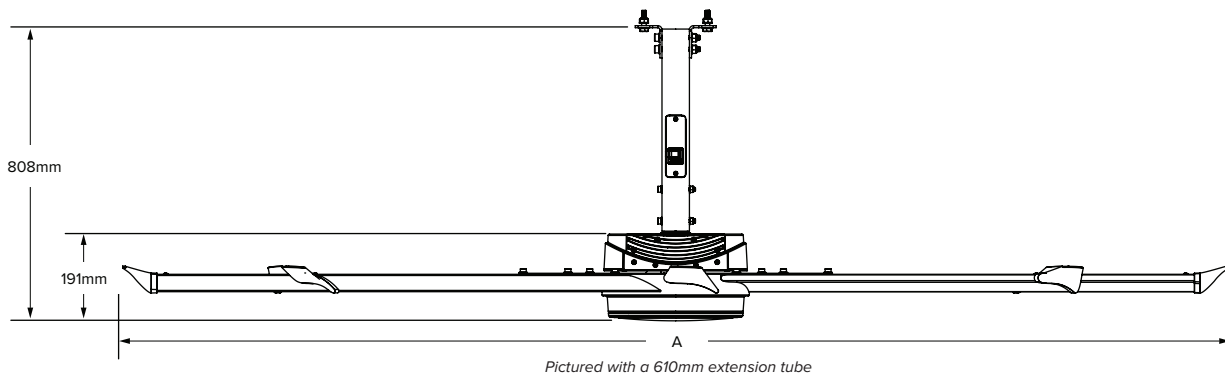
#### Wired Wall Controller



### Technical Specifications

Diameter (A)	Weight <sup>2</sup>	Max speed	Aerofoil clearances <sup>3</sup>	Input power and required breaker	Sound at max speed <sup>4</sup>	IP Rating
2.4m	34 kg	158 RPM	0.6m on sides 0.6m below ceiling deck	110–125 VAC, 1 Φ, 50/60 Hz, 10 A 200–240 VAC, 1 Φ, 50/60 Hz, 10 A	< 35 dBA	IP43
3m	37 kg	107 RPM				
3.7m	40 kg	76 RPM				
4.3m	44 kg	56 RPM				

<sup>1</sup> Not suitable for salt air environments.  
<sup>2</sup> Weight does not include mount or extension tube.  
<sup>3</sup> Suitable for ceilings as low as 3.7 metres.  
<sup>4</sup> Fans are sound tested at maximum speed in a laboratory environment. Actual results in field conditions may vary due to sound reflecting surfaces and environmental conditions.



Lead times may vary.  
 Specifications subject to change without notice.  
 Warranty period and terms vary by country and application.  
 To view your full warranty, visit [bigassfans.com/product-warranties](http://bigassfans.com/product-warranties).



USA  
 BIGASSFANS.COM  
 877-244-3267

CANADA  
 BIGASSFANS.COM  
 844-924-4277

AUSTRALIA  
 BIGASSFANS.COM/AU  
 1300 244 277

SINGAPORE  
 BIGASSFANS.COM/SG  
 +65 6709 8500

MALAYSIA  
 BIGASSFANS.COM/SG  
 +603 5565 0888