



READ AND SAVE THESE INSTRUCTIONS BEFORE INSTALLATION



WARNING: Electrical wiring must be done by qualified person(s) in accordance with all applicable codes and standards.

CAUTION: The installation of a Big Ass Fan must be in accordance with the requirements specified in this installation manual and with any additional requirements set forth by the national electric code (NEC) and all local codes.

CAUTION: When service or replacement of a component in the fan requires the removal or disconnection of a safety device, the safety device is to be reinstalled or remounted as previously installed.

CAUTION: Do not bend the blades when installing, adjusting, or cleaning the fan. Do not insert foreign objects between rotating blades.

CAUTION: Some fans can generate sound that could be hazardous to personnel. It is the responsibility of the user to measure the sound levels of the fan and/or system, determine the degree of personnel exposure, and comply with all applicable safety laws and requirements to protect personnel from excessive noise.

WARNING: In addition to normal dangers of rotating machinery, the fan can present additional hazards from the suction of pressure created at the fan inlet or discharge. Suction at the fan inlet can draw materials into the fan where they can become high velocity projectiles at the discharge and cause severe personal injury or death.

WARNING: Never operate the fan without the inlet and outlet cage guards in place. If these guards become defective or are removed, the power to the motor should be turned off and locked out until the cage guards have been replaced and inspected by the proper safety personnel.

WARNING: Some fans, fan components, and all motors operate at temperatures that could burn someone if they come in contact with them. If this potential hazard could exist in your installation, steps must be taken by the user to protect anyone from coming in contact with this equipment.

WARNING: No guarantee of any level of spark resistance is implied by spark resistant construction. Airstream material and debris or other system factors can also cause sparks.

Contents

Introduction

Technical Specifications	2
Fan Diagram	2

Pre-Installation

Parts and Hardware	3
Preparing the Work Site	4

Installation

Direct Mount Installation	5
Yoke Mount Installation	5
Wall/Column Mount Installation.....	5
Portable Base and Pedestal Installation.....	6
Electrical Installation.....	7

Troubleshooting

Recommended Troubleshooting Procedures.....	9
---	---

Preventive Maintenance

Annual Preventive Maintenance	10
General Preventive Maintenance	10
Fan Blade Maintenance.....	10
Maintenance Diagram.....	11

Startup Procedures

Pre-Startup & Post-Startup Procedures.....	12
--	----

Contact Us

Contact Us.....	13
-----------------	----

INTRODUCTION

Technical specifications

Note: A cord with a plug and switch is only provided with 18-inch fans.

Fan size	18"
Motor frame size	56
Motor hp	1/3 hp
Full load current	6 A @ 100–125 V, 1 Φ , 60 Hz
Maximum speed	1725 RPM
Maximum operational temperature	104°F (40°C)
Fan weight*	78 lb (35.4 kg)

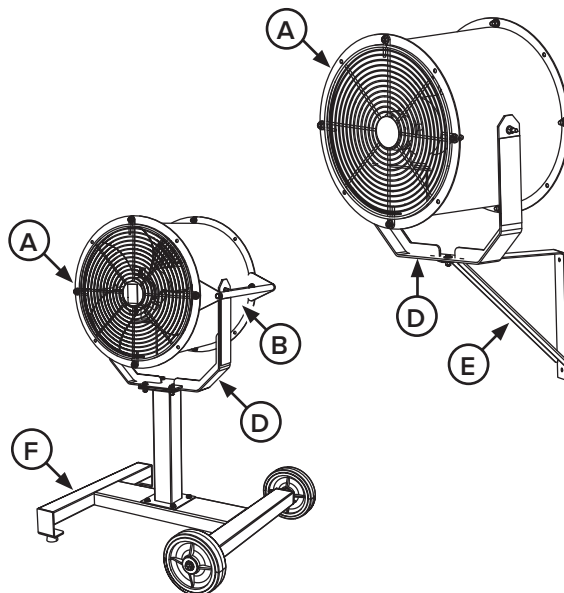
Fan size	30"
Motor frame size	56H
Motor hp	1 hp
Full load current	3.7 A @ 200–220 V, 3 Φ 1.9 A @ 400–480 V, 3 Φ
Maximum speed	1160 RPM
Maximum operational temperature	104°F (40°C)
Fan weight*	125 lb (56.7 kg)

*Add an additional 9 lb (4 kg) if using the wall/column mount with an 18-inch fan. Add an additional 15 lb (6.8 kg) if using the wall/column mount with a 30-inch fan. Add an additional 31 lb (14 kg), if using the portable base with an 18-inch fan.

Fan diagram

Note: Fan setup may differ from the illustrations below.

- A. Protective cage and housing.** The steel cage guards and housing protect both the fan and users during operation.
- B. Handle.** Provides support when transporting around the workspace. This part is only available with the portable base and pedestal for 18-inch fans.
- C. Fan motor (not shown).** The fan motor powers the fan and rotates the fan blades. The motor is located on the backside of the fan.
- D. Yoke.** Supports the fan and allows for swivel.
- E. Wall/column mount (optional).** Supports the yoke and fan when mounting to a wall or column.
- F. Portable base and pedestal (optional for 18-inch only).** Elevates the fan and allows for transport around the workspace.



PRE-INSTALLATION

The fan is packaged to minimize possible damage during shipment. The freight carrier is responsible for delivering the fan in its original condition. The individual receiving the fan is responsible for inspecting the fan parts for any damage. If any damage is found, it should be noted on the bill of lading before the freight is accepted and the receiver must file a claim with the freight carrier.

If you are mounting the fan to a wall or column, some hardware used to secure the wall/column mount supports is customer-supplied. Big Ass Fans cannot provide specific installation details because of the wide variability of mounting surfaces, conditions, and fastening methods. Consult a structural engineer to determine the required hardware.

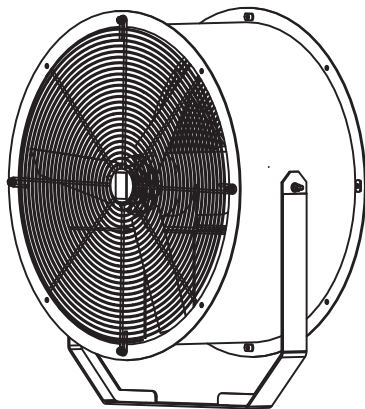
Parts and hardware

Be careful not to damage or deform any parts when removing the fan from the packaging. Retain all packaging material in the event the fan needs to be returned. If you are missing any components required for fan assembly or operation, contact Big Ass Fans Customer Service.

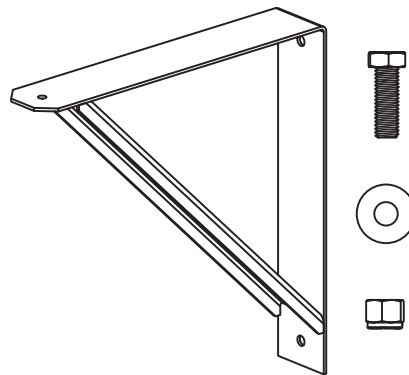
All installers, operators, and maintenance personnel should read AMCA Publication 410-96, Recommended Safety Practices for Users and Installer of Industrial and Commercial Fans, which is included with the Sweat Bee® fan.

Note: The drawings below are not to scale. No hardware substitutions are acceptable.

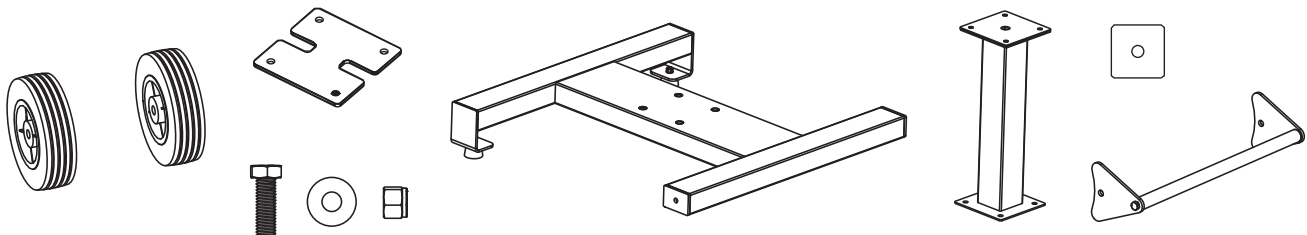
Fan Housing, Cage Guards, & Yoke



Wall/Column Mount & Hardware*



Portable Base, Wheels, Handle, Pedestal, and Hardware*



**Optional. Only included if ordered.*

PREPARING THE WORK SITE

Handling of the fan should be performed by trained personnel and be consistent with all safe handling practices. When surveying the work site, keep the following guidelines in mind.

- Verify that all lifting equipment is in good operating condition and has the proper lifting capacity. The fan should be lifted using well-padded chains, cables, or lifting straps with spreader bars. Never lift the fan by the inlet or outlet guards or any other part of the fan that could distort the fan assembly.
- The fan installation area must be clear of obstructions such as lights, cables, sprinklers, or other building structure parts.
- Consult a structural engineer if you are uncertain of your required mounting method.
- Never start a fan without having all required fan components properly installed. All fans should be checked for missing or damaged components on a regular schedule. If any required fan cage guard parts are found to be missing or defective, power to the fan should be immediately disconnected and locked out in accordance with OSHA regulations. Power should not be reconnected until the required parts have been repaired or replaced.
- Before installing the fan, be aware of the effects that vibration will have on the fan, motor, and other parts. Improper fan installation can cause excessive vibration causing premature motor bearing failure, which is not covered under warranty. Immediately shut down the fan if there is any sudden increase in vibration.
- If the yoke is not used to mount the fan, the fan should sit on a flat, level surface. Any sloped surface could cause the fan to move. Any surface that is not flat could cause excessive vibration, which could lead to mechanical failure of the blades or motor bearings.
- The installation of the fan must be in accordance with the National Electrical Code, ANSI/NFPA 70-2011, and all local codes.
- The fan may begin to operate upon connection to power source. Do not apply AC supply power to fan until it is fully assembled and in an acceptable upright position.

INSTALLATION

- ⚠ **WARNING:** Immediately disconnect the fan from power if there is any sudden increase in vibration!
- ⚠ **CAUTION:** Never make swivel and/or rotational adjustments while the fan is connected to power!
- ⚠ **WARNING:** The fan should never be operated with loose mounting or adjustment hardware!

Mechanical installation

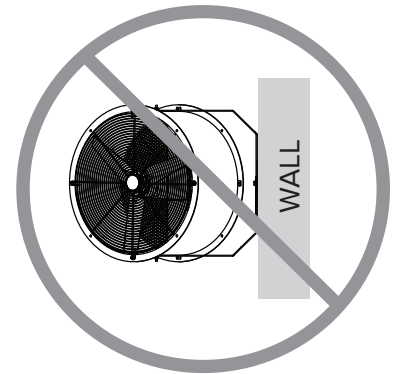
The Sweat Bee® is supplied standard with a direct mount. Optionally, a wall/column mount can be purchased to install the fan on a wall or vertical column. A yoke mount can be purchased to install the fan to an I-beam or bar joists. A pedestal can also be purchased to elevate the fan and provide mobility.

The Sweat Bee must be positioned in a location that is free of foreign objects that may interfere with the fan. The following instructions are merely a recommendation for mounting the Sweat Bee. *Consult a structural engineer to determine the best method and hardware for mounting your fan.*

Direct mount (standard)

The fan yoke should be bolted to a horizontal structural member, such as a truss or I-beam. Do not directly bolt the fan yoke to a vertical beam or wall. The wall/column mount must be used in these applications. The fan can be swiveled up or down $\pm 40^\circ$ from the center.

To swivel the fan, disconnect the fan from power, and then loosen the two swivel adjustment bolts located on the sides of the fan housing. Reposition the fan and securely tighten the hardware. Ensure no strain is put on the electrical wiring for the motor when adjusting the fan position. Proceed to safety cable installation on page 7.



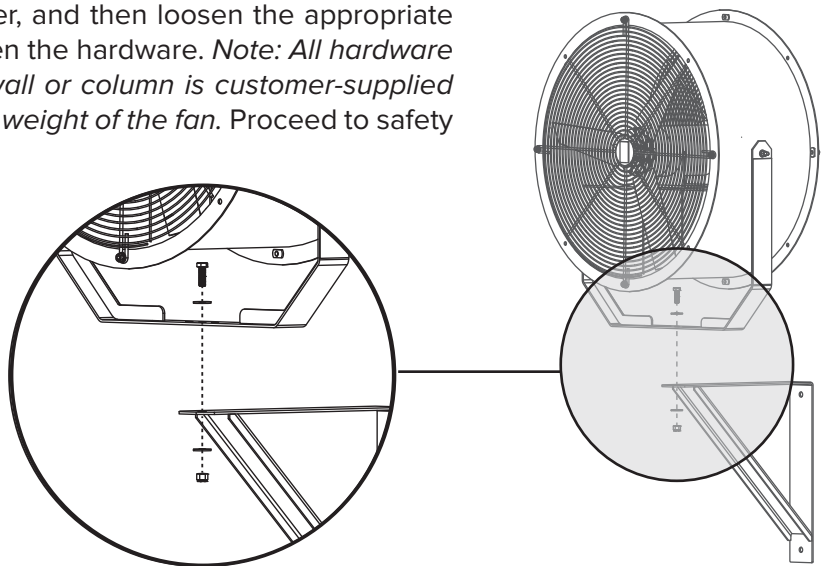
Yoke mount (optional)

If installing the fan to an I-beam or bar joists with an extension tube, follow the installation instructions provided with the Yoke Mount kit.

Wall/Column mount (optional)

The wall/column mount allows the Sweat Bee to be mounted to a wall or column. The mount must be bolted or welded to a vertical beam and mounted so that the fan is on the top side of the bracket, not hanging downward. The fan housing can be swiveled up or down $\pm 40^\circ$ from center and rotated 360° as long as it does not strain the electrical wiring for the motor.

To adjust the fan, disconnect the fan from power, and then loosen the appropriate hardware. Reposition the fan and securely tighten the hardware. *Note: All hardware used to secure the wall/column mount to the wall or column is customer-supplied and must be of sufficient strength to support the weight of the fan.* Proceed to safety cable installation on page 7.

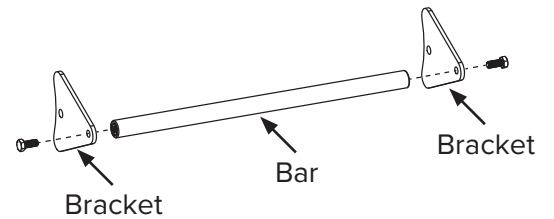


Portable Base and pedestal (optional for 18-inch fans only)

The portable base and pedestal option includes a handle to allow for easy mobility around a workspace. Note: The portable base and pedestal are only available with 18-inch fans. To install the handle, portable base, and pedestal, do the following:

1. Install the handle

Preassemble the handle by securing the bar to the brackets with the provided 5/16-18 x 3/4" bolts as shown on the right. On the fan, remove the hardware from the cage guards (front and rear) on the right side of the fan housing. Using the same hardware, install the bolts, lock washers, washers, handle, and weld nuts as shown below.



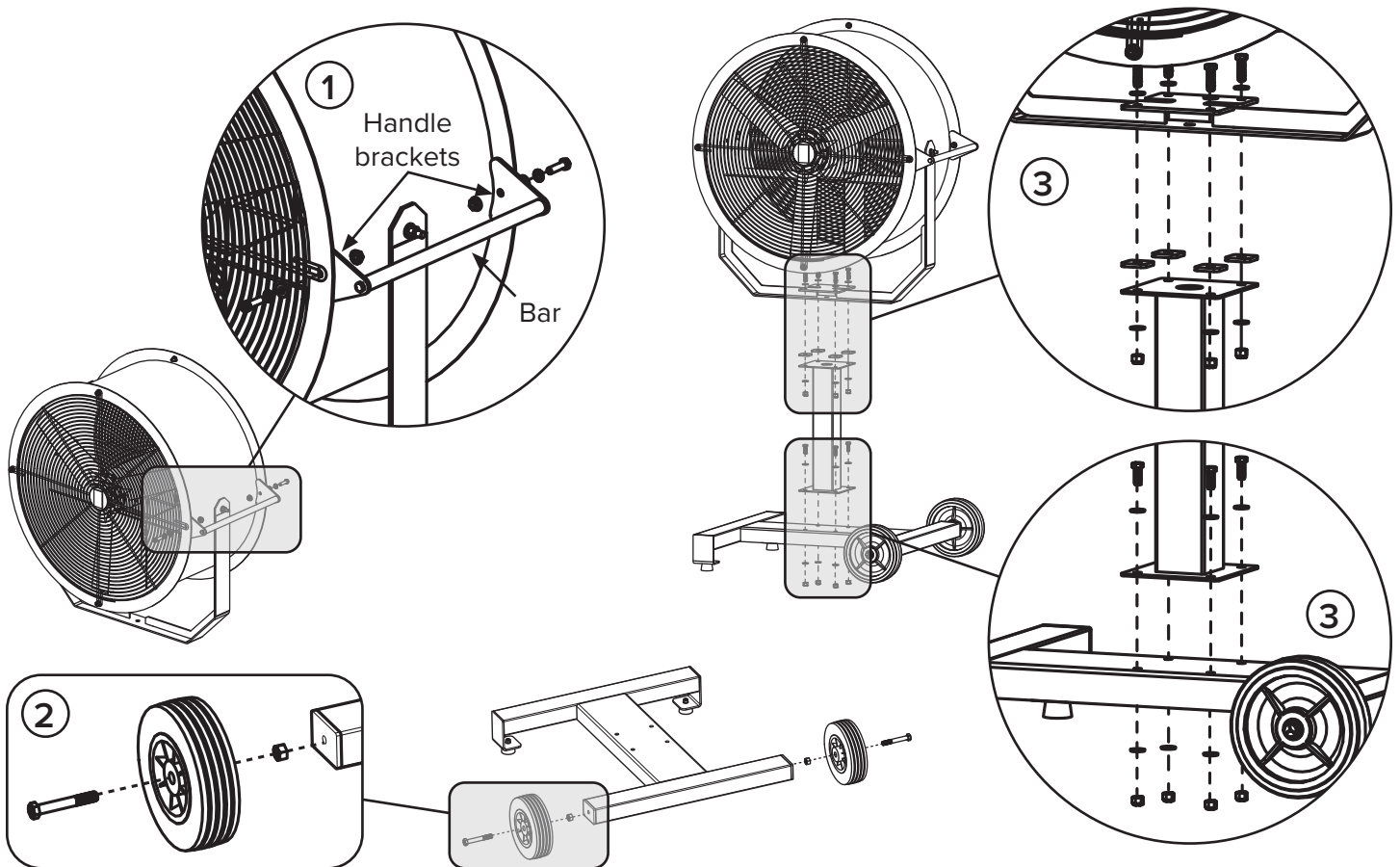
2. Install the wheels

Attach the wheels to the portable base by inserting the 1/2-13 x 3-1/2" hex head cap screw through the center of the wheel. Thread the 1/2" hex nut onto the screw approximately 1" (2.5 cm), and then insert the screw (attached to the wheel) into the hole on the fan base until it is tight. Screw the hex nut against the base, but do not overtighten. Repeat on the other wheel. Test the wheels to ensure they rotate freely.

3. Install pedestal and fan

Attach the pedestal to the portable base with the (4) 3/8-16 x 1" bolts, (8) 3/8" washers, and (4) 3/8"-16 nylock nuts. Secure the fan yoke to the pedestal with the (4) 3/8-16 x 1-1/4" bolts, (8) 3/8" washers, adapter plate, (4) alignment aids, and (4) 3/8"-16 nylock nuts as shown. Securely tighten all hardware. Ensure the handle is installed on the same side as the wheels.

To swivel the fan, disconnect the fan from power, and then loosen the two swivel adjustment bolts located on the sides of the fan housing. Reposition the fan and securely tighten the hardware.



Safety cable (customer-supplied) installation

⚠ ATTENTION: Do not connect any safety cable or chain to the fan housing on either end of the fan. Do not connect any safety cable or chain to an area near the blades where it could become entangled.

With every installation in which the fan is mounted above the floor, a safety cable or chain should be securely connected between the fan and the mounting structure to limit how far the fan could fall if the mounting hardware becomes loose. *This safety feature should be installed by the user to prevent property damage, severe personal injury, death, and to comply with local codes.* The cable or chain should not be any longer than needed to operate the fan properly and it should be strong enough to support a minimum of two (2) times the total weight of the fan assembly.

Electrical installation

- ⚠ CAUTION:** All wiring connections, inspection, and maintenance of any motor must be performed by a licensed electrician in accordance with the motor manufacturer's recommendations, all electrical codes, and OSHA regulations. Failure to properly install, wire, or perform any maintenance to a motor can result in motor failure, property damage, injury, or death.
- ⚠ WARNING:** Do not operate this fan from an ungrounded receptacle or use any device on the power cord that can defeat proper earth ground such as a plug adapter.
- ⚠ WARNING:** Exercise caution and common sense when powering the fan. Do not connect the fan to a damaged or hazardous power source. Do not attempt to resolve electrical malfunctions or failures on your own. Contact Big Ass Fans if you have any questions regarding the electrical installation of this fan.
- ⚠ WARNING:** The installation and usage of a Big Ass Fan must be in accordance with the requirements specified in this installation manual and with any additional requirements set forth by the national electric code (NEC) and all local codes. Code compliance is ultimately YOUR responsibility! Failure to comply with these codes could result in personal injury or property damage.

18-Inch Sweat Bee®. The 18-inch Sweat Bee is pre-wired for 115 volt, single-phase, 60 Hz, and includes a 12-ft cord with a switch and a 3-prong, grounded plug.

30-Inch Sweat Bee®. If the fan is a 30-inch Sweat Bee, the motor must be wired according to the schematic located on the motor itself. A licensed electrician must supply required electrical components and complete the wiring connections from the motor to an outside conduit box. *Note: The cage guard must be removed to access the motor.*

Power requirements

Fan size	Motor size	Supply circuit size	Full load current	Maximum ambient operating temperature
18 in.	1/3 hp	20 A @ 100–125 V, 1 Φ	6 A @ 100–125 V, 1 Φ , 60 Hz	104°F (40°C)
30 in.	1 hp	15 A @ 200–220, 3 Φ 15 A @ 400–480 V, 3 Φ	3.7 A @ 200–220, 3 Φ 1.9 A @ 400–480 V, 3 Φ	104°F (40°C)

Note: Assumes the use of an Inverse Time Circuit Breaker (I2t).

Motor

The fan comes standard with a Totally Enclosed (TEFC) motor. The installer (licensed electrician) is responsible for supplying all required electrical components and completing the electrical connections from the motor to the outside conduit box. Do not connect or operate a motor without reading the motor manufacturer's instructions supplied with the fan.

Wiring connections

All wiring connections should be made for the proper voltage and phase displayed on the motor nameplate. Connections should follow the motor manufacturer's recommendations shown in the wiring schematic, which is located on the outside of the motor, inside the motor conduit box, or on the motor nameplate. Reversing some wires might be necessary to reverse fan rotation if the blades do not rotate in the direction indicated by the arrow on the fan housing.

Disconnect switch

All fan motors should have an independent disconnect switch located in visual proximity to turn off electrical service to the fan motor. Disconnects must be locked out in accordance with OSHA "lock out-tag out" procedures any time inspection or maintenance is being performed on the fan or motor. The "lock out-tag out" procedures should be performed by authorized personnel. All disconnects should be sized in accordance with the latest NEC codes (National Electric Codes) and any local codes, and installed by a licensed electrician. "Slow blow" or "time delay" fuses or breakers should be used since the initial startup time for the fan motor can be up to 10 seconds.

TROUBLESHOOTING

- ⚠ **WARNING:** Risk of fire, electric shock, or injury to persons during cleaning and user maintenance! Disconnect the appliance from the power supply before servicing.
- ⚠ **WARNING:** When service or replacement of a component in the fan requires the removal or disconnection of a safety device, the safety device is to be reinstalled or remounted as previously installed.
- ⚠ **WARNING:** Before servicing or cleaning the fan, switch off power at the service panel and lock the service disconnecting means to prevent power from being switched on accidentally. When the service disconnecting means cannot be locked, securely fasten a prominent warning device, such as a tag, to the service panel.
- ⚠ **WARNING:** Before inspecting or servicing the fan, be sure the fan is disconnected from power and that the blades have been carefully secured to prevent wind milling. If the operating conditions of the fan are to be changed (speed, temperature, etc.), Consult Big Ass Fans to determine if the unit will operate safely in the new conditions.
- ⚠ **WARNING:** To avoid a potential “windmill” effect even when power is disconnected, the blades should be carefully secured to prevent any rotational turning before working on any parts of the fan that may move.

Some issues can be resolved before requesting service. Review the below troubleshooting tips and procedures before contacting Customer Service for support.

Symptom	Possible solution(s)
<i>Airflow is inadequate.</i>	To be effective, the fan should be rotating in the direction of the arrow located on the fan housing. If the fan is not rotating in the correct direction, reversal of some wiring may be required. See the instructions provided on the motor.
<i>The fan will not start.</i>	<p>Verify the following:</p> <ul style="list-style-type: none"> • All wires are securely connected. • Supply power is adequate and functional. • All fuses or circuit breakers are not defective. <p>If the fan still does not start, contact Customer Service.</p>
<i>There is excessive vibration and/or noise during operation.</i>	<p>Excessive vibration can cause premature motor bearing failure that could lead to catastrophic failure of the fan. The most common causes of vibration are unbalanced blades, loose mechanical parts, motor imbalance, and foundation stiffness (not flat or level).</p> <p>Verify the following:</p> <ul style="list-style-type: none"> • The blades are not rubbing the inside of the fan housing, and are not worn or corroded. • The blade set screws and taper-lock bushings are torqued to the specifications in the table on the following page. • There is no accumulation of foreign material on the blades. • The mounting structure provides adequate support. • There are no loose mounting bolts, wheel set screws, or taper-lock hubs.
<i>The motor is overheating.</i>	<p>Motor overheating can be caused by one or more of the following:</p> <ul style="list-style-type: none"> • The voltage supplied to the motor is too high or too low. • Motor speed (RPM) is too high or the motor is defective. • The motor is wired incorrectly or there are loose wiring connections.

PREVENTIVE MAINTENANCE

- ⚠ **WARNING:** Risk of fire, electric shock, or injury to persons during cleaning and user maintenance! Disconnect the appliance from the power supply before servicing.
- ⚠ **WARNING:** When service or replacement of a component in the fan requires the removal or disconnection of a safety device, the safety device is to be reinstalled or remounted as previously installed.
- ⚠ **WARNING:** Before servicing or cleaning the fan, switch off power at the service panel and lock the service disconnecting means to prevent power from being switched on accidentally. When the service disconnecting means cannot be locked, securely fasten a prominent warning device, such as a tag, to the service panel.
- ⚠ **WARNING:** To avoid a potential “windmill” effect even when power is disconnected, the blades should be carefully secured to prevent any rotational turning before working on any parts of the fan that may move.

Please take a few moments to periodically perform the following preventive maintenance inspection on your fan to ensure its safe and efficient operation. The frequency of inspections must be determined by the user and is dependent upon the severity of the application, but it should never exceed a 12-month period. Prepare an inspection and maintenance schedule and adhere to it. If you have any questions, please contact Customer Service.

Annual preventive maintenance

The following maintenance procedures are to be performed annually:

- Check the fan hardware to make sure it is tight and shows no wear. If a screw is loose, discard it and replace it with a new screw. Blade set screws or taper-lock bushings should be tightened to the torque values listed in the tables below.
- Check the power cord and plug and motor wiring for damage.
- Check the safety cable and mounting system to ensure there is no damage or wear.
- Check the motor to ensure it is clean and dry. Refer to the motor manufacturer’s instructions for further information.
- If using the portable base, ensure the wheels are secure and freely rotating.

General preventive maintenance

- Keep the motor clean and dry.
- Cleaning should be limited to exterior surfaces only. Follow the motor manufacturer’s instructions to clean the motor.
- Most small motors have sealed bearings that are permanently lubricated for the life of the motor.
- If the fan is not used daily, start the fan at least once every month and run for a few minutes.

Fan blade maintenance

All blade set screws are tightened to the proper torque prior to shipment. Some blades may have taper-lock hubs and split taper-lock bushings to secure the blades to the motor shaft. Check all set screw or taper-lock bushings for proper torque. Forces encountered during shipment, handling, rigging, and temperature can affect factory settings. For correct torque values, refer to the tables below.

Set screw torque values

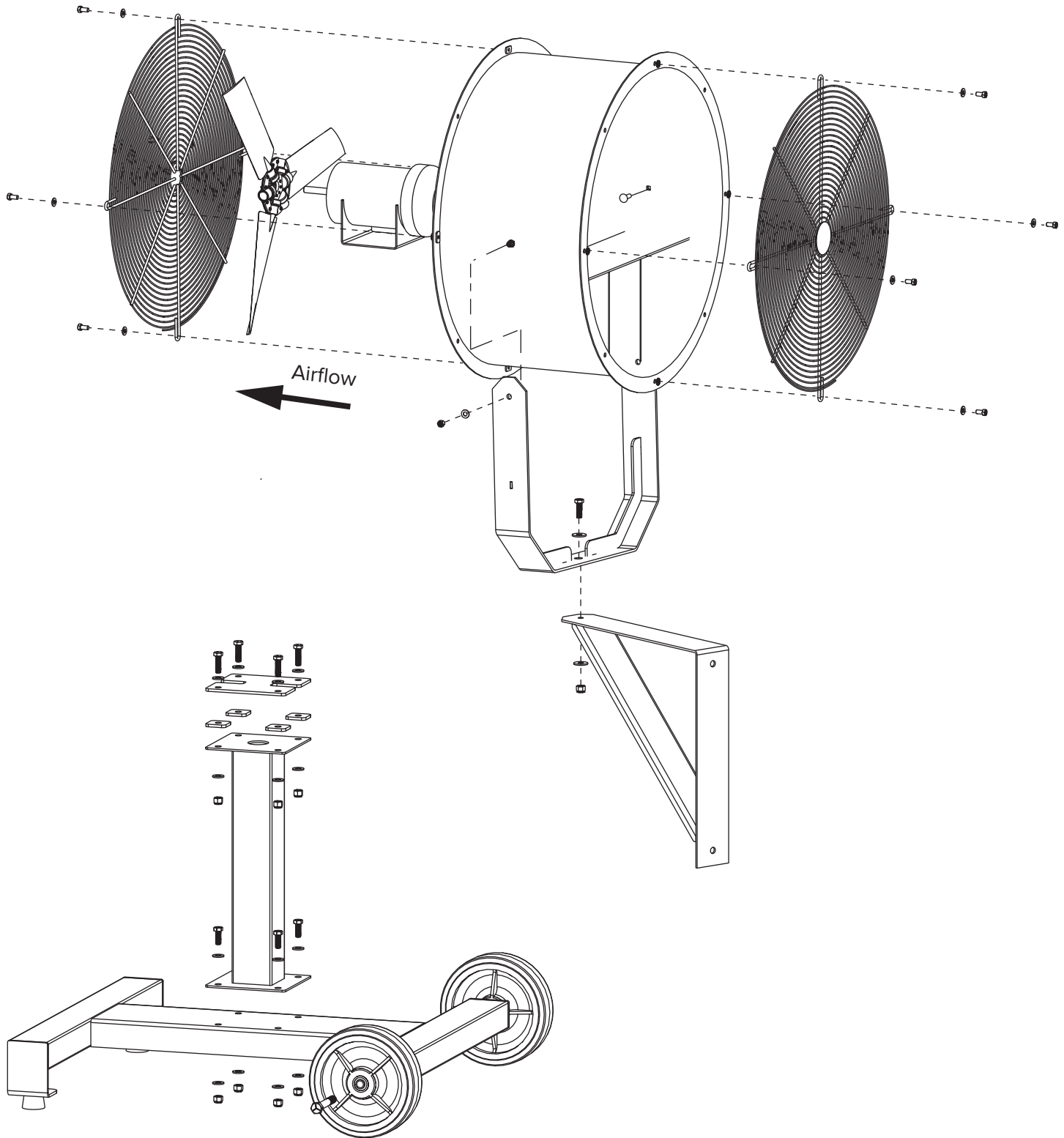
Diameter & number of treads/inch	Hex wrench size (across flats)	Required torque (inch-pounds)
1/4-20	1/8"	65
5/16-18	5/32"	165
3/8-16	3/16"	228
7/16-14	7/32"	348
1/2-13	1/4"	504
5/8-11	5/16"	1104

Torque values for taper-lock bushings

Taper-lock bushing size	Required torque (inch-pounds)
H	95
B	192
P	192
Q	350
R	350

MAINTENANCE DIAGRAM

The diagrams below show an exploded Sweat Bee® with the optional wall/column mount and the optional portable base and pedestal. The diagrams are intended only for reference. Your exact installation setup may differ. The fan blade design may slightly differ from the picture.





STARTUP PROCEDURES

ATTENTION

Failure to complete and document all the following pre-startup and post-startup checks listed below in sections A and B could void all warranties.

 **Make sure power to the motor is locked out before performing pre-startup checks!**

Pre-startup and post-startup checks

Mark the check box as each step is completed. Retain this document for your records.

1. Pre-Startup Checks completed by: _____ Date: _____
2. 8-Hour Post-Startup checks completed by: _____ Date: _____
3. 3-Day Post-Startup checks completed by: _____ Date: _____
1. Complete any necessary wiring to power the motor. This should be completed by a licensed electrician.
2. Remove the inlet and outlet cage guards (30-inch fans only).
3. Carefully check the blades by spinning it by hand to ensure it rotates freely (30-inch fans only).
4. Check the blade set screws to make sure they are torqued to the values specified in the table on page 10 (30-inch fans only).
5. If the fan blade has a taper-lock bushing, make sure it is torqued to the values specified in the table on page 10 (30-inch fans only).
6. Make sure there is no foreign material in the fan that could become projectile.
7. Check the bolts that secure the motor onto the fan motor base plate to make sure they are tight.
8. Reinstall the cage guards (30-inch fans only).
9. Apply power to the motor momentarily (“bump start”) to check the blade rotation. It should turn in the direction indicated by the rotation arrow on the outside of the fan housing. If the fan is rotating in the wrong direction, reconnect the motor leads according to the motor manufacturer’s wiring schematic. *The fan rotation must match the rotation indicated by the rotation arrow.* After reconnecting the leads, repeat this step.
10. Apply power to the motor to full speed. **Turn off the power.** Look and listen for any unusual noise or mechanical abnormality while the blades are still spinning. If any are noticed, lock out the power, wait for the blades to come to a complete stop, locate the cause, and correct it.

CONTACT US

Talk to a Big Ass Fan Expert. Call us at one of the numbers below or visit www.bigassfans.com



Customer Service

United States

2348 Innovation Drive
Lexington, KY 40511
USA
877-244-3267
Outside the U.S.
(+1 859-233-1271)
bigassfans.com

Canada

2180 Winston Park Drive
Oakville, Ontario L6H 5W1
Canada
1 844-924-4277
bigassfans.com/ca

Mexico

CEBSA (Corporación Eléctrica
del Bravo SA de CV)
Avenida Ind. Rio San Juan
Lote 3-A Parque Industrial del Norte
Reynosa, Tamps C.P. 88736
+52 1 899 925 6398
<http://cebsainc.com/>

Australia

35 French Street
Eagle Farm, Brisbane
QLD 4009
Australia
+61 1300 244 277
bigassfans.com/au

Malaysia

BAFCO Asia Sdn Bhd (965032-V)
No 4, Jalan Jururancang U1/21A
Hicom Glenmarie Industrial Park
40150 Shah Alam, Selangor,
Malaysia
(+603) 5565 0888

Singapore

18 Tampines Industrial Crescent
#06-07
Singapore 528 605
+65 6709 8500
bigassfans.com/sg

All Other Geographies

+1 859-410-6286
bigassfans.com



Manufacturing and Warranty

You are responsible for providing and paying for shipping when returning a product to Big Ass Fans for the purpose of recycling under the WEEE directive.

Manufacturer



2348 Innovation Drive
Lexington, KY 40511
USA

Warranty and WEEE Returns

2201 Jaggie Fox Way
Lexington, KY 40511
USA

Manufacturing Site

2251 Innovation Drive
Lexington, KY 40511
USA